

Basler Accessories



Installation Guide

HOUSING TRANSPAC TPH 4000, 90 - 240 V and 24 V

Outdoor Camera Housing with Sunshield, IP67

Order Numbers

2000032062

2000032063

Document Number: AW001299

Version: 02 Language: 000 (English)

Release Date: 30 August 2017

Contacting Basler Support Worldwide

Europe, Middle East, Africa

Basler AG
An der Strusbek 60–62
22926 Ahrensburg
Germany

Tel. +49 4102 463 515
Fax +49 4102 463 599

support.europe@baslerweb.com

The Americas

Basler, Inc.
855 Springdale Drive, Suite 203
Exton, PA 19341
USA

Tel. +1 610 280 0171
Fax +1 610 280 7608

support.usa@baslerweb.com

Asia-Pacific

Basler Asia Pte. Ltd.
35 Marsiling Industrial Estate Road 3
#05–06
Singapore 739257

Tel. +65 6367 1355
Fax +65 6367 1255

support.asia@baslerweb.com

www.baslerweb.com

All material in this publication is subject to change without notice and is copyright Basler AG.

1 Introduction

NOTICE

When using this housing in aggressive environments (e.g. where it is exposed to high humidity, salt water, or other corrosive elements), corrosion of the housing and/or camera can occur.

To prevent this, seal all external stainless steel screws and fittings with a silicone grease compound. This will help to extend the lifespan of the housing and the camera. This is especially important for the wall mount.



WARNING

Incorrect electrical connections can damage the camera and lead to injuries

- Disconnect the camera from the main power supply before opening the housing.
- Electrical connections should only be made by a qualified electrician.

Purpose of this Document

This document is designed to give an overview over the technical specifications of the Transpac TPH 4000, 90 - 240 V and 24 V, housings. It will also explain how to install a camera inside a housing of this series. This document should be used in conjunction with the respective Basler camera user's manual.

Key Features of the Camera Housing

- Die-cast aluminum housing, ivory-colored powder coating
- Fully cable-managed wall mount
- Suitable for indoor/outdoor installation
- Adjustable camera mounting platform for IP and machine vision cameras by Basler
- Internal heater for defogging
- Internal fan for temperature management
- IP67 cable glands
- Internal power supply unit with spare terminal and fuse block
- Weight: 4 kg

- Suitable for the following Basler camera models:
 - ace GigE
 - aviator GigE
 - pilot
 - scout
 - IP cameras

Package Contents

Included with the housing are a wall mount as well as various parts needed for installing the wall mount and for mounting a camera inside the housing.

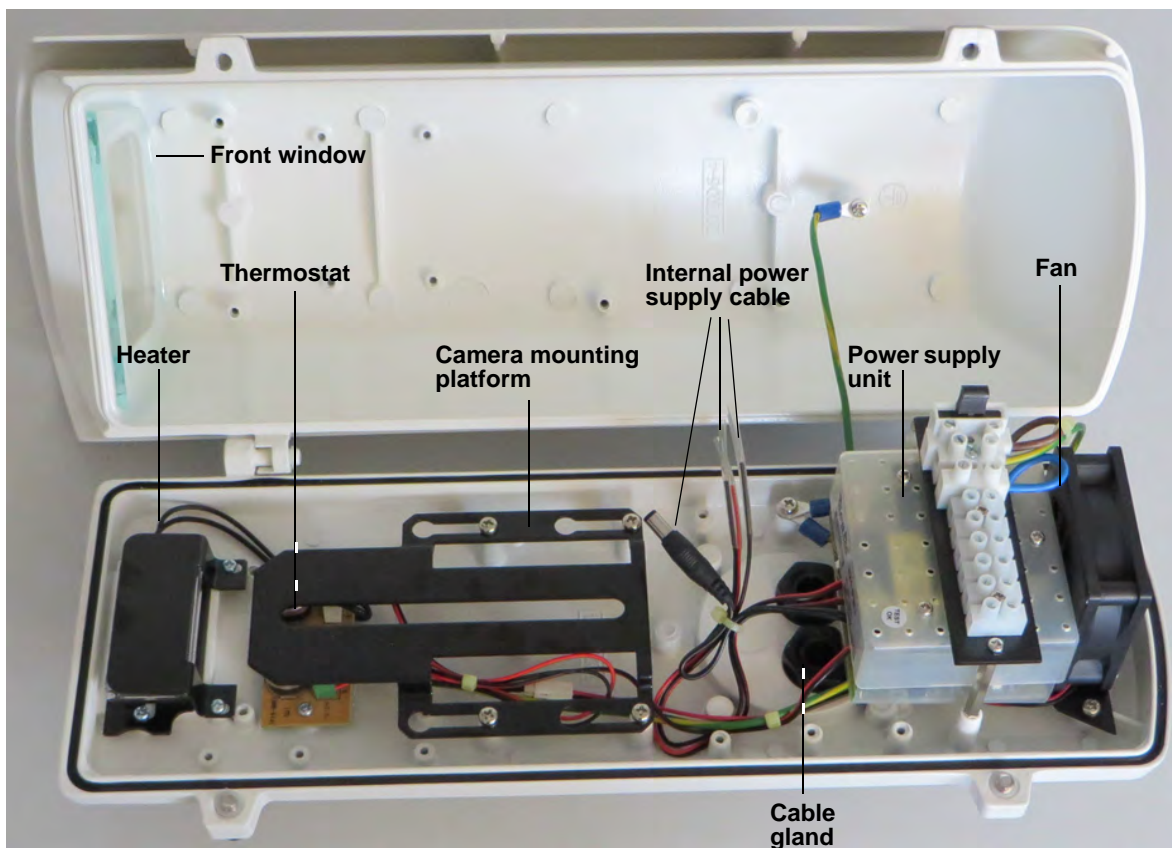


Fig. 1: Camera Housing (Internal View)



Fig. 2: Wall Mount

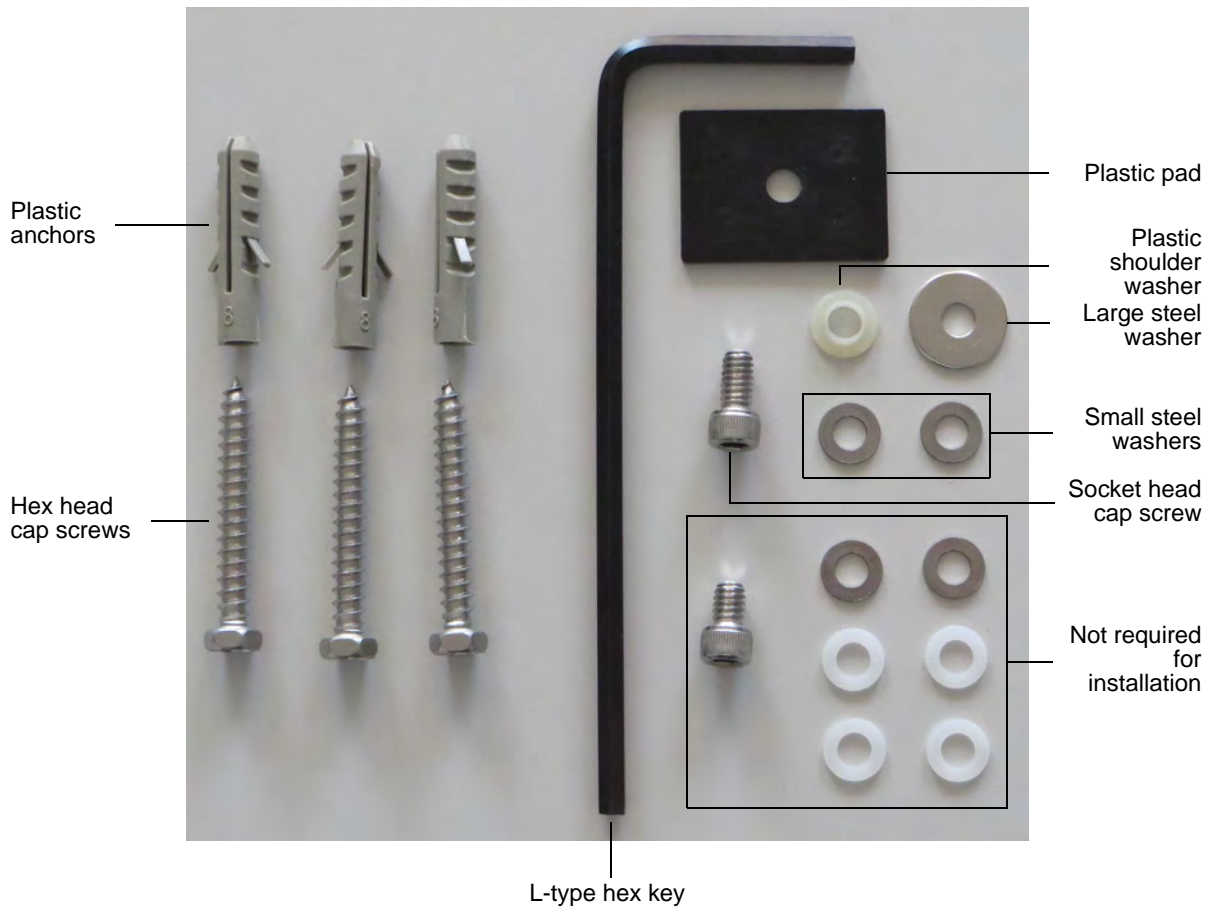


Fig. 3: Assembly Parts

Items needed for installing the wall mount:

- 3 plastic anchors
- 3 stainless steel hex head cap screws
- 1 L-type hex key

Items needed for mounting a camera inside the housing:

- 1 steel socket head cap screw, 1/4" x 1/2"
- 1 plastic pad
- 1 plastic shoulder washer
- 1 large steel washer
- 2 small steel washers
- 1 L-type hex key



Note that all other parts included in the package are not needed for standard installations.

Dimensions (in mm)

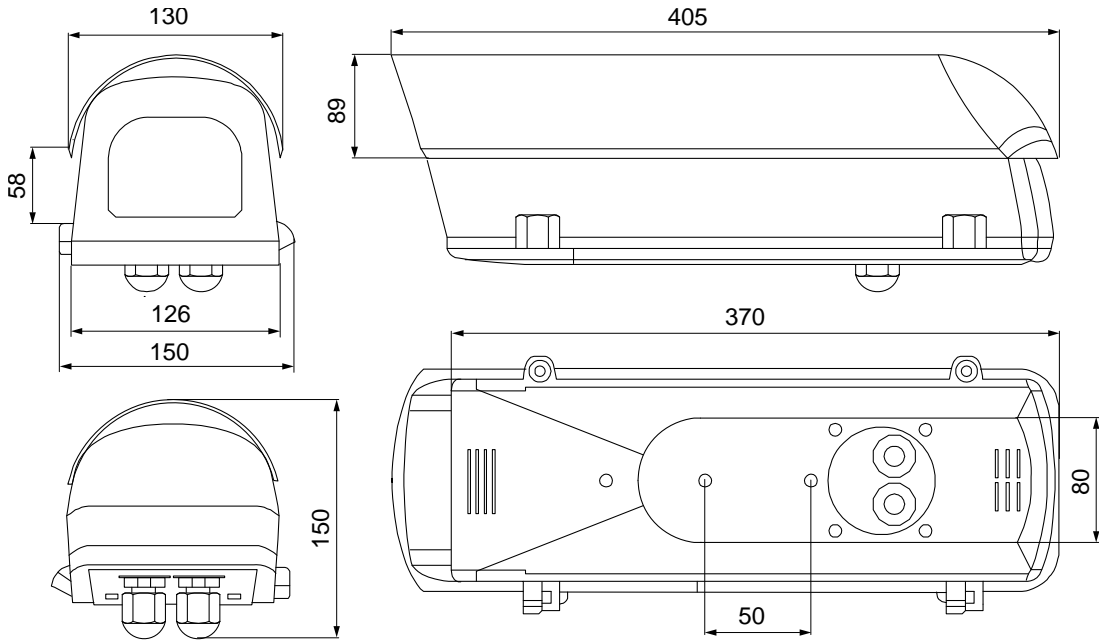


Fig. 4: Dimensions Housing

Maximum dimensions (external): 405 (L) x 150 (W) x 150 (H)

Maximum camera mounting space: 260 (L) x 90 (W) x 70 (H)

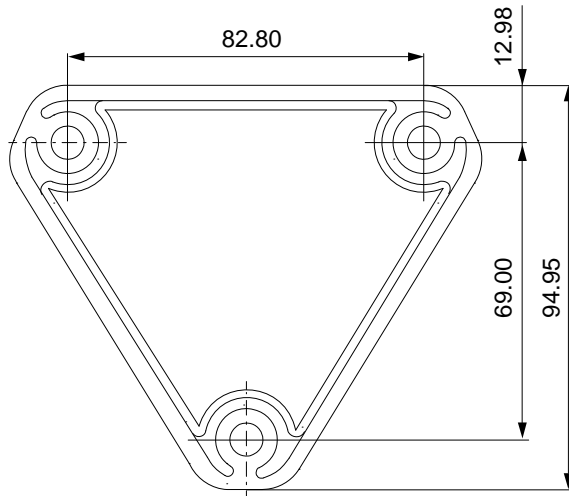


Fig. 5: Dimensions Wall Mount Base

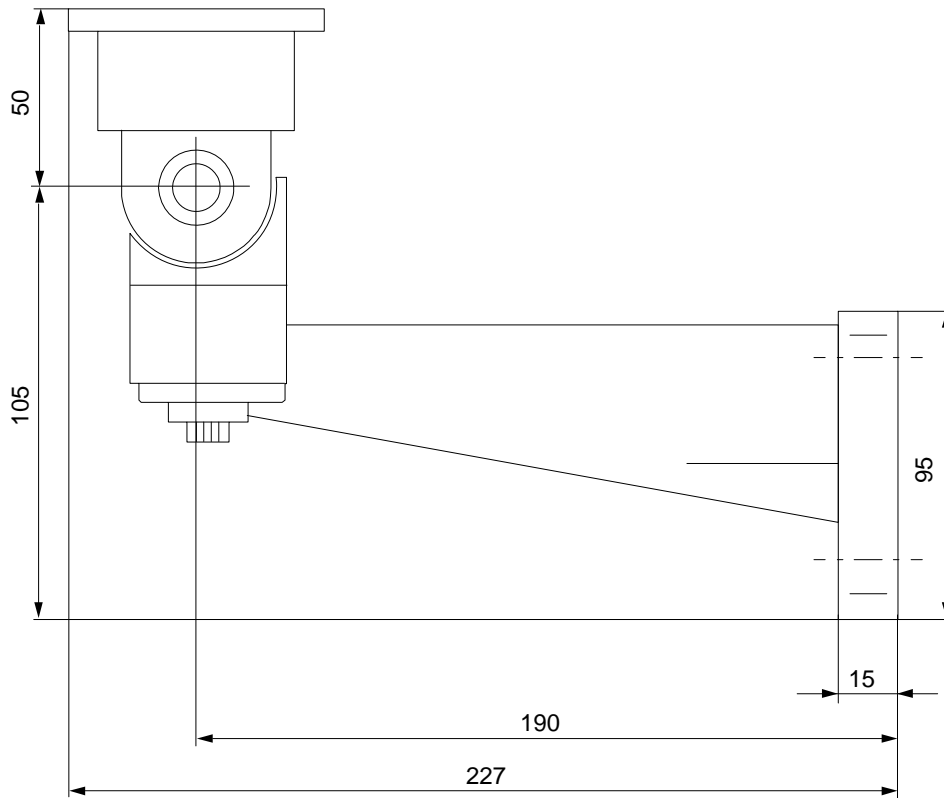


Fig. 6: Dimensions Wall Mount

Technical Specifications

| Specification | 2000032062 | 2000032063 |
|------------------------|--|---------------------------|
| External Power Supply | 90–240 VAC Input Power Supply | 24 VAC Input Power Supply |
| Internal Power Output | 3 x 12 VDC, max. 3.5 A (including heater and fan) | |
| Heater Control | 18 °C (On) / 28 °C (Off) | |
| Fan Control | 35 °C (On) / 25 °C (Off) | |
| Operating Temperature | -20–50 °C Note: Check the operating temperature of the camera you are going to use as its operating temperature may differ from that of the housing. | |
| Protection Level | IP67 | |
| Temper Glass Thickness | 4 mm | |

Table 1: Specifications

Electrical Information

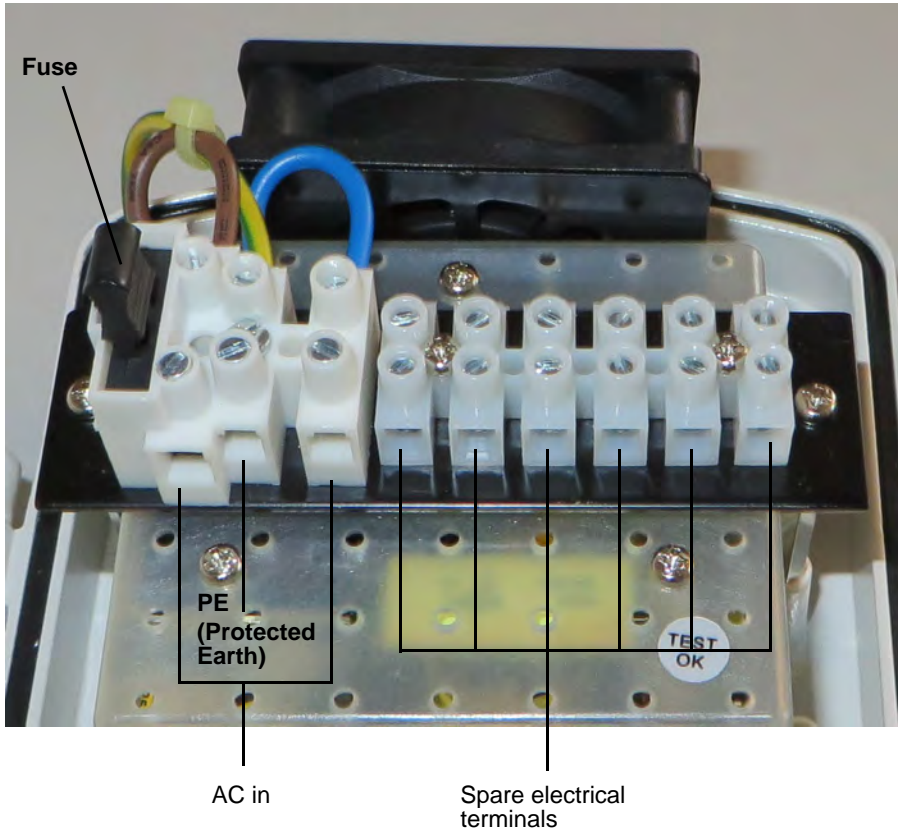


Fig. 7: Terminal Block

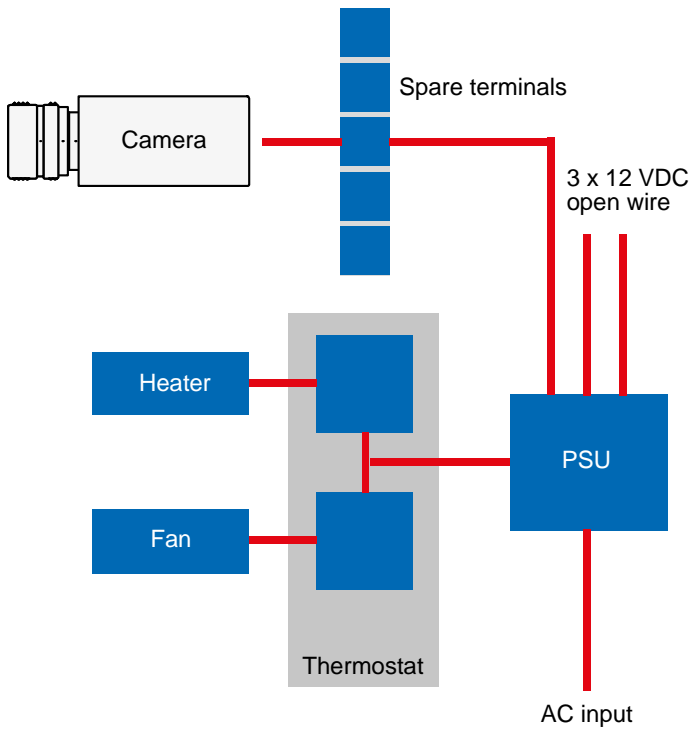


Fig. 8: Wiring Diagram

The unused 12 VDC power outputs can be used to power lens motors, lighting equipment, sirens etc.

Certifications

| | |
|-------|--|
| CE | Compliant with EN 55022:2010 Class B |
| LVD | Compliant with EN 60950-1:2006+A11:2009+A1:2010+A12:2011 |
| FCC | Compliant with FCC Part 15:Subpart B (10-1-10 Edition) Class B |
| CISPR | 22:2008 Class B |
| IP67 | Compliant with IEC 60529 |
| RoHS | Fully compliant |
| SVCH | Fully compliant |

Table 2: Certifications

2 Mounting a Camera

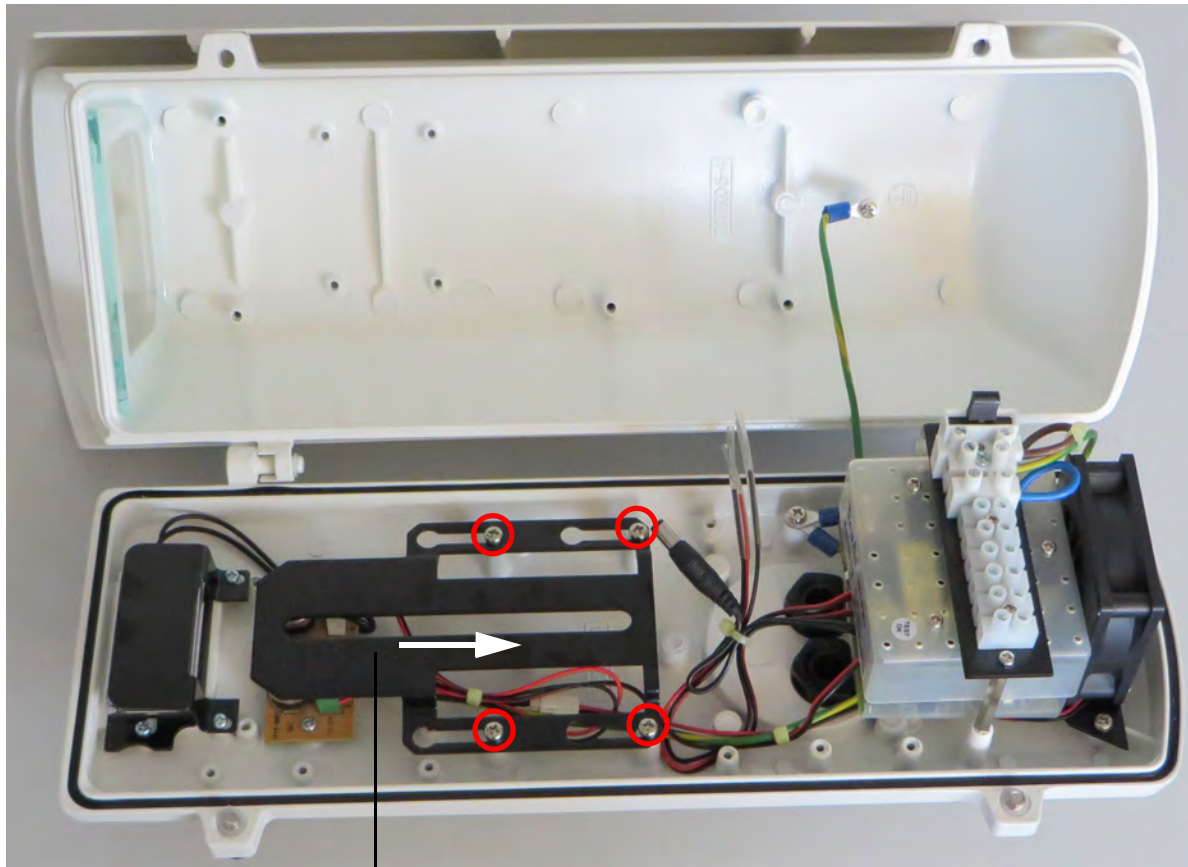
The Transpac TPH 4000, 90 - 240 V and 24 V, camera housings can accommodate a variety of Basler IP and machine vision cameras. For Basler machine vision cameras, an additional camera mount is required which has to be purchased separately. Table 3 gives an overview over which camera mount is required for which camera.

| Basler Camera Model | Additional Mount Required? | Camera Mount Order Number |
|---------------------|----------------------------|--|
| ace GigE | Yes | 2000029679 (all ace GigE, except ace L) 2200000192 (only ace L) |
| aviator | Yes | 2000015984 |
| pilot | Yes | 2000023896 |
| scout | Yes | 2000023894 |
| IP Camera | No | n/a |

Table 3: Camera-specific Mounting Information

Preparing the Housing

In order to install a camera inside the housing, you have to remove the camera mounting platform (see Fig. 9) from the housing. The steps required vary slightly depending on the camera model.



Camera mounting platform

Fig. 9: Removing the Camera Mounting Platform

To prepare the housing for small cameras:

1. Slightly loosen the four screws (circled in red in Fig. 9) that hold the platform in place. Don't remove the screws completely.
2. Slide the camera mounting platform along the screws in order to line up the screws with the holes in the platform (in the direction of the arrow in Fig. 9).
3. Lift off the camera mounting platform.

The screws remain in place, still attached to the housing body.

Now you can mount a camera on the camera mounting platform.

To prepare the housing for large cameras:

By default, the camera mounting platform sits on four spacers (see Fig. 10). You have to remove these before you can install a large camera (e.g. a Basler aviator) on the mounting platform.

1. Remove the four screws (circled in red in Fig. 9) that hold the platform in place.
2. Lift off the camera mounting platform.
3. Remove the spacers that support the camera mounting platform.
4. Return the screws to their original position.

Don't tighten them fully. Screwing them in loosely is sufficient.

Now you can mount a camera on the camera mounting platform.

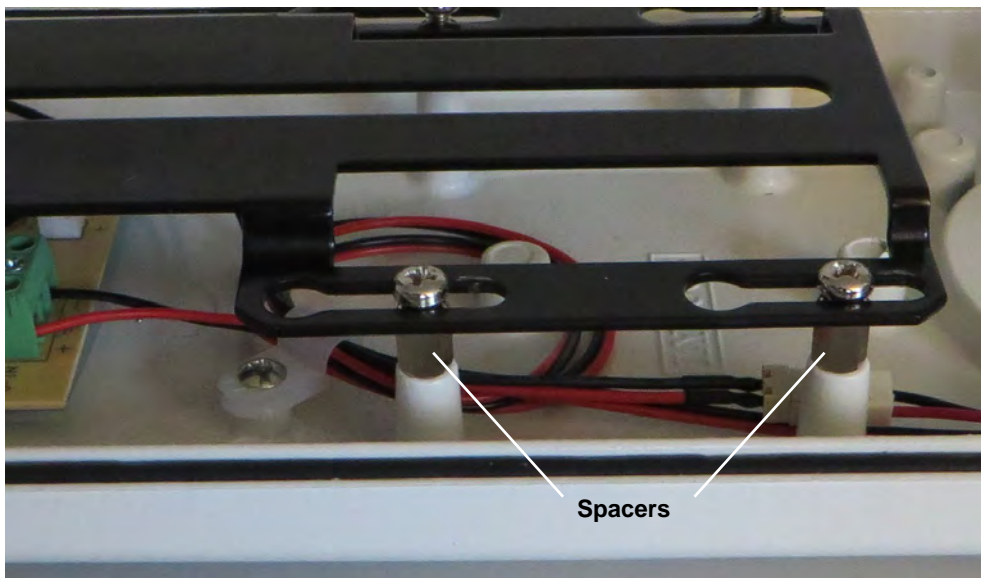


Fig. 10: Mounting Platform Supported by Spacers

Installation Instructions by Camera Model

The following figures demonstrate how to install the different camera models. When installing Basler cameras, it is recommended to use two small steel washers as well as the large steel washer in order to prevent damaging the camera.

To install a machine vision camera (see Fig. 11):

1. Attach the camera mount to the bottom of the camera (step 1).
2. Assemble the screws and washers (step 2).
3. Thread the screw-washer assembly through the camera mounting platform and the plastic pad.
4. Twist the screw into the camera mount.
5. After positioning, tighten the screw.

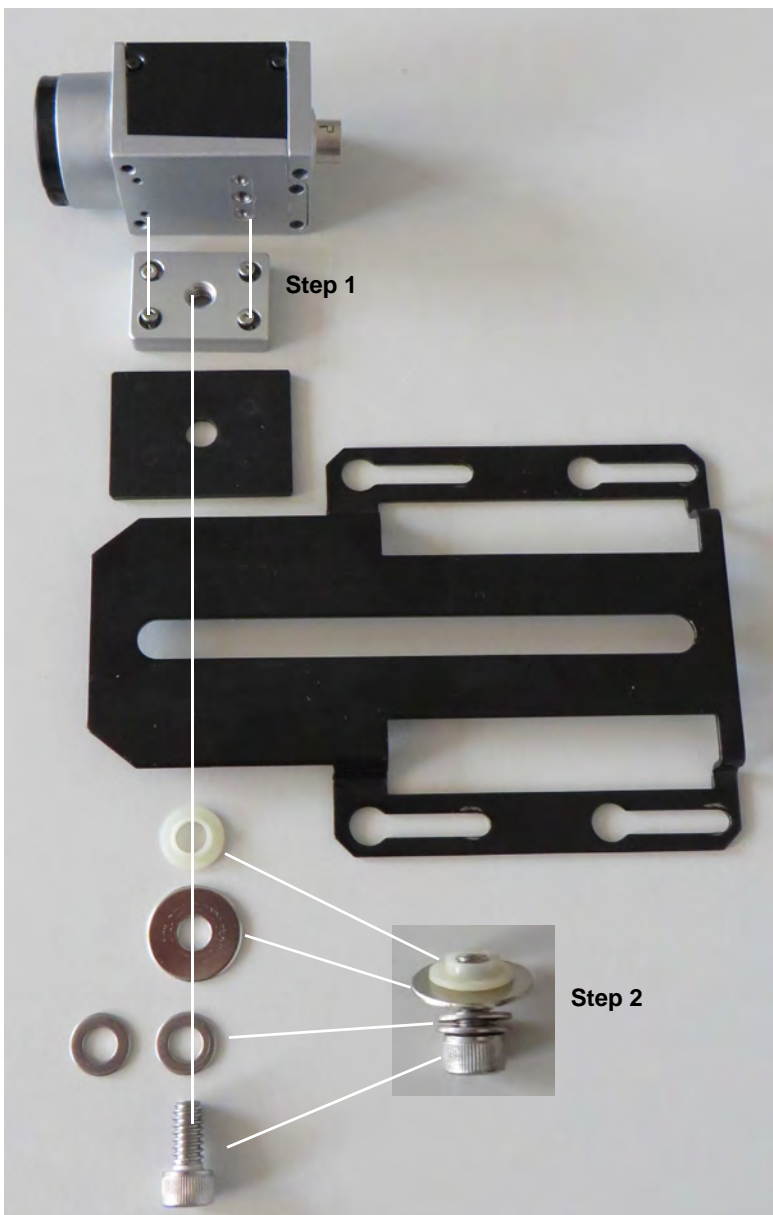


Fig. 11: Installing a Machine Vision Camera (ace GigE Shown as an Example)

To install an IP camera (see Fig. 12):

1. Assemble the screws and washers (step 1).
2. Thread the screw-washer assembly through the camera mounting platform and the plastic pad.
3. Twist the screw into the bottom of the camera.
4. After positioning, tighten the screw.

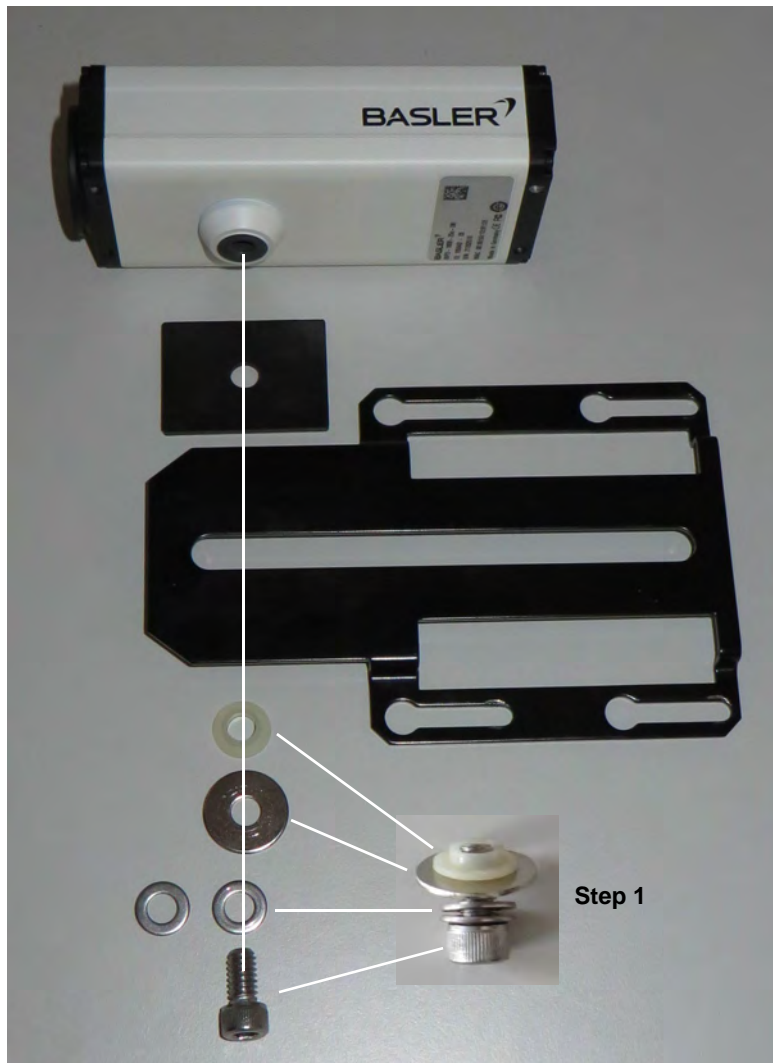


Fig. 12: Installing an IP Camera

Revision History

| Doc. ID Number | Date | Changes |
|----------------|-------------|---|
| AW00129901000 | 26 Mar 2014 | Initial release of this document. |
| AW00129902000 | 30 Aug 2017 | Updated list of suitable cameras on page 2 and in Table 3 on page 9 . |