

# Basler IP Camera Accessories

AIGIS HS9480 HOUSING



- Very small size
- Indoor or outdoor installation
- IP65 rated protection

# TECHNICAL DETAILS

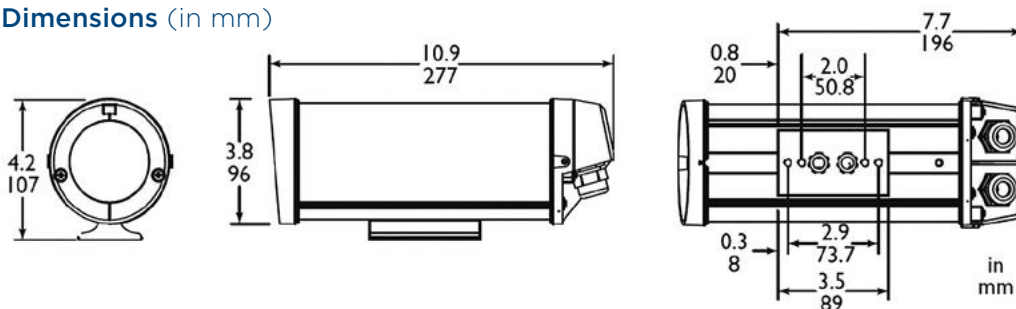
## Specifications

Aigis HS9480	
Temperature Range	-10° to 45°C (14° to 113°F)
Weight	- 1.4 kg (3 lb)
Dimensions	See drawings
Supported Cameras	BIP2-640c, BIP2-640c-dn, BIP2-1000c, BIP2-1000c-dn, BIP2-1300c, BIP2-1300c-dn, BIP2-1600c, BIP2-1600c-dn, BIP2-1280c, BIP2-1280c-dn, BIP2-1920c, BIP2-1920c-dn, BIP2-2500c, BIP2-2500c-dn
Mounts	Wall mount, pole mount
Protection Rating	IP65
Approvals	CE, UL, cUL
Accessories Included	Sunshield, mount
Order Numbers	2000030690 (with wall mount) 2000030765 (with pole mount)

Specifications are subject to change without prior notice

The HS9480 indoor/outdoor housing offers a smooth, sleek look that complements any environment. For quick installation or service, simply remove the two captive screws and slide off the cover to fully expose the camera and lens. This allows access to all camera and lens controls when the camera is in its mounted position. PoE cabling can be routed through watertight fittings in the bottom rear of the housing or can be routed through the mounting base. No heater or fan is needed inside the housing to maintain the camera within the specified temperature range!

## Dimensions (in mm)



©Basler AG, No. 3, 10/2015

**Basler AG**  
Germany, Headquarters  
Tel. +49 4102 463 500  
sales.europe@baslerweb.com

**Basler, Inc.**  
USA  
Tel. +1 610 280 0171  
sales.usa@baslerweb.com

**Basler Asia Pte Ltd.**  
Singapore  
Tel. +65 6367 1355  
sales.asia@baslerweb.com

Please visit our website to find further Basler offices and representatives close to you:  
[www.baslerweb.com/sales](http://www.baslerweb.com/sales)

