

Power Supply 24V/60W, M12 8P

The Power Supply 24V/60W, M12 8P (order number 108080) is recommended for use with the blaze-101 camera for test, evaluation, and development purposes only.

Physical Specifications

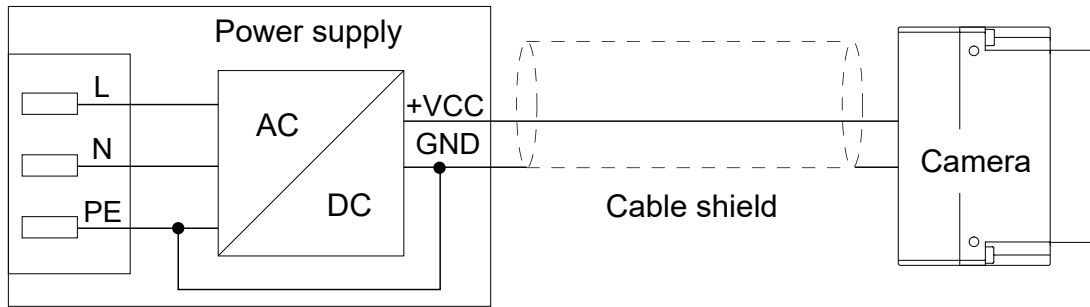
DC Output Connector	M12 8-pin via adapter cable
AC Input Connector	IEC 60320 C14, mates with IEC 320/C14 plug
Housing Dimensions	125.0 mm x 50.0 mm x 31.5 mm
Protection Rating	IPX0

Electrical Specifications

Input Voltage Range	80–264 VAC, 47–63 Hz
Max. Input Current	1 A
Max. Output Power Rating	60 W
Output Voltage	24 V
Output Regulation	±3 %
Max. Output Current	2.5 A
Earth Leakage Current	<100 µA @ 264 VAC

Grounding Information

When using this power supply in your application environment, note that there is a direct connection between the camera housing and the Protected Earth (PE) pin of the power supply.



Protection Specifications

Overload	105–160 % rated output power Protection type: Hiccup mode, recovers automatically after fault condition is removed
Overvoltage	25.2–32.4 V Protection type: Shut down output voltage, re-power on to recover
Overtemperature	Shut down output voltage, re-power on to recover

Environmental Specifications

Operating Temperature	-30–70 °C
Humidity	20–90 %, relative, non-condensing

General Specifications

MTBF	720,000 hrs @ 25 °C
Energy Efficiency	CEC & DOE Level VI

General Information

CE Conformity	Yes
FCC Conformity	Yes, Class B

Was this page helpful?

