
PCN Number: 09/2021

Title: **Temperature State Feature –
Removed on certain ace U and ace
L cameras (part 3)**

Product Family: ace U and ace L with certain sensors

Release date: September 06, 2021

Contact: Basler Support

Type of Change:

Miscellaneous **Firmware** **PC Software**

Product design **Process**

Reason for Change

The demand-supply-situation for semiconductor-related components has become increasingly tense and it is our utmost aim to provide our customers with the most reliable and competitive lead times possible in this challenging environment.

One component that faces a shortage is a temperature sensor that is needed for the “*Device Temperature Feature*” and the “*Temperature State Feature*”.

Due to the shortage of the temperature sensor we will focus on delivering cameras and reduce the feature scope. The “*Device Temperature Feature*” won’t be of use anymore and the “*Temperature State Feature*” will be deactivated for the cameras listed below.

We manage to stay within the UL certifications, but this means the cameras **may only be operated with a lens** or any other heat dissipating device.

Once the demand-supply-situation has relaxed, we plan to offer both features again. This will be published in another Product Change Notification.

Affected cameras (detailed list of models below):

ace U GigE with the following sensors: Python 2000, Python 5000, IMX174, IMX249, IMX273, IMX287, IMX264, ICX618 Replacement

ace U and ace L USB with the following sensors: Python 500, Python 1300, Python 2000, Python 5000, IMX174, IMX249, IMX250, IMX252, IMX183, IMX304, IMX253, IMX267, IMX255, IMX264 color, IMX265 color, IMX273 color

Basler AG
Europe, Middle East, Africa
Tel. +49 4102 463 515
Fax +49 4102 463 599
support.europe@baslerweb.com
www.baslerweb.com

The Americas
Tel. +1 610 280 0171
Fax +1 610 280 7608
support.usa@baslerweb.com

Asia-Pacific Region
Tel. +65 6367 1355
Fax +65 6367 1255
support.asia@baslerweb.com

Change Description

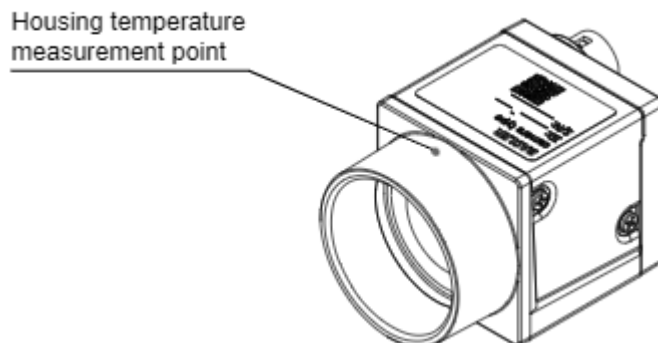
The following **Temperature Requirements** are specified in our Basler Product Documentation to operate the cameras listed below.

Housing Temperature during operation	0-50 °C
Housing Temperature according to UL	max. 70°C
Ambient Temperature according to UL	max. 30°C

UL test conditions: ~~no~~ lens attached to camera; no heat dissipation measures; ambient temperature kept at 30°C.

The temperature limits will not change. However, to stay in accordance with UL the test conditions were changed: cameras need to **always be equipped with a lens**. No camera exceeds the UL temperature limit of 70°C and all cameras will keep their UL certification.

Please note that to avoid burns or damaging the camera you must **never use the camera without a lens or alternative heat dissipation** to operate the camera according to the specified maximum housing temperature of 50°C.



The **Device Temperature** camera feature allows you to determine the camera temperature within the camera (see Basler Product Documentation).

For the camera models listed below, the feature will still be accessible. However, because these cameras will not be equipped with the temperature sensor, a default value of **421°C** will be returned.

Basler AG
Europe, Middle East, Africa
Tel. +49 4102 463 515
Fax +49 4102 463 599
support.europe@baslerweb.com
www.baslerweb.com

The Americas
Tel. +1 610 280 0171
Fax +1 610 280 7608
support.usa@baslerweb.com

Asia-Pacific Region
Tel. +65 6367 1355
Fax +65 6367 1255
support.asia@baslerweb.com

The **Temperature State** camera feature indicates whether the camera's internal temperature is normal or too high. In case of over temperature, the image acquisition is stopped and a test image appears until the camera has cooled down again (see Basler Product Documentation).

For the camera models listed below, the feature will be deactivated by removing the temperature thresholds. It will always return the parameter value "ok".

The over temperature threshold is for the following two purposes:

1) Ensuring UL conformity of the camera.

This requirement is still fulfilled as described above.

2) Preventing damage of the camera.

At elevated temperatures, the camera may get damaged, the camera's lifetime is shortened, and image quality can degrade. We therefore ask you to take special care to provide sufficient heat dissipation to maintain the temperature of the camera housing at 50°C or less.

If sufficient heat dissipation is provided in the application and cameras are operated according to the specified maximum housing temperature of 50°C, this product change does not have an impact on heat development within the camera.

In case cameras in your application have switched to test images before (please see "*Temperature State Feature*"), your application might exceed the specified operating temperature and additional measures to provide sufficient heat dissipation might be needed. Please contact our Basler Support team for assistance.

If cameras in your application haven't switched to test images before, the removed thresholds will have no consequence.

Please note that you won't be able to update future firmware versions on cameras that were produced without the temperature sensor.

Basler AG

Europe, Middle East, Africa

Tel. +49 4102 463 515

Fax +49 4102 463 599

support.europe@baslerweb.com

www.baslerweb.com

The Americas

Tel. +1 610 280 0171

Fax +1 610 280 7608

support.usa@baslerweb.com

Asia-Pacific Region

Tel. +65 6367 1355

Fax +65 6367 1255

support.asia@baslerweb.com

Affected models and expected first production / shipping date

	Model	Part Number	Revision	First Production Date
ace U GigE	acA1920-48gm - Python2000	107263	13	CW36/ 2021
	acA1920-48gc - Python2000	107264	13	CW36/ 2021
	acA2500-20gm - Python5000	107259	13	CW36/ 2021
	acA2500-20gc - Python5000	107260	13	CW36/ 2021
	acA1920-50gm - IMX174	106878	20	CW36/ 2021
		107759	06	Q4 2021
	acA1920-50gc - IMX174	106907	19	CW36/ 2021
	acA1920-40gm - IMX249	106907	17	CW36/ 2021
		107760	06	Q4 2021
	acA1920-40gc - IMX249	106908	17	CW36/ 2021
		107761	06	Q4 2021
	acA1440-73gm - IMX273	107647	14	CW36/ 2021
	acA1440-73gc - IMX273	107649	15	CW36/ 2021
	acA720-290gm - IMX287	107650	14	CW36/ 2021
	acA720-290gc - IMX287	107651	15	CW36/ 2021
acA2440-20gm - IMX264	107212	19	CW36/ 2021	
	108004	06	Q4 2021	
acA2440-20gc - IMX264	107213	19	CW36/ 2021	
	108005	06	Q4 2021	
acA640-121gm – ICX618 replacement	107739	09	CW36/ 2021	
ace U USB	acA800-510um - Python500	106764	25	CW36/ 2021
	acA800-510uc - Python500	106765	25	CW36/ 2021
	acA1300-200um - Python1300	106752	24	CW36/ 2021

Basler AG
Europe, Middle East, Africa

Tel. +49 4102 463 515
Fax +49 4102 463 599

support.europe@baslerweb.com

www.baslerweb.com

The Americas

Tel. +1 610 280 0171
Fax +1 610 280 7608

support.usa@baslerweb.com

Asia-Pacific Region

Tel. +65 6367 1355
Fax +65 6367 1255

support.asia@baslerweb.com

PRODUCT CHANGE NOTIFICATION (PCN)



	Model	Part Number	Revision	First Production Date
	acA1300-200uc - Python1300	106754	24	CW36/ 2021
	acA1920-150um - Python2000	107261	16	CW36/ 2021
	acA1920-150uc - Python2000	107262	17	CW36/ 2021
	acA2500-60um - Python5000	107257	16	CW36/ 2021
	acA2500-60uc - Python5000	107258	17	CW36/ 2021
	acA1920-155um - IMX174	106879	22	CW36/ 2021
	acA1920-155uc - IMX174	106880	22	CW36/ 2021
	acA1920-40um - IMX249	106909	20	CW36/ 2021
	acA1920-40uc - IMX249	106910	20	CW36/ 2021
	acA2440-75um - IMX250	107204	24	CW36/ 2021
	acA2440-75uc - IMX250	107205	24	CW36/ 2021
	acA2040-120um - IMX252	107206	24	CW36/ 2021
	acA2040-120uc - IMX252	107207	24	CW36/ 2021
	acA2440-35uc - IMX264	107209	24	CW36/ 2021
	acA2040-55uc - IMX265	107211	24	CW36/ 2021
	acA1440-220uc - IMX273	107653	13	CW36/ 2021
	acA5472-17um - IMX183	107771	12	CW36/ 2021
	acA5472-17uc - IMX183	107772	12	CW36/ 2021
ace L USB	acA4112-20um - IMX304	107413	14	CW36/ 2021
	acA4112-20uc - IMX304	107414	14	CW36/ 2021
	acA4112-30um - IMX253	107416	14	CW36/ 2021
	acA4112-30uc - IMX253	107417	14	CW36/ 2021
	acA4096-30um - IMX267	107420	14	CW36/ 2021
	acA4096-30uc - IMX267	107421	14	CW36/ 2021
	acA4096-40um - IMX255	107422	14	CW36/ 2021

Basler AG
Europe, Middle East, Africa

Tel. +49 4102 463 515
Fax +49 4102 463 599

support.europe@baslerweb.com

www.baslerweb.com

The Americas

Tel. +1 610 280 0171
Fax +1 610 280 7608

support.usa@baslerweb.com

Asia-Pacific Region

Tel. +65 6367 1355
Fax +65 6367 1255

support.asia@baslerweb.com

PRODUCT CHANGE NOTIFICATION (PCN)



	Model	Part Number	Revision	First Production Date
	acA4096-40uc - IMX255	107423	14	CW36/ 2021

Customized cameras based on the same product model might be affected, please contact the Basler Support for clarification.

Additional Information

Basler may make changes to specifications and product descriptions at any time, without notice. The information in this document is subject to change without notice.

There is no claim to exchange or update the stock or the delivered goods due to the PCN. This applies to customer inventories as well as Basler's own inventory. Also there is no claim to receive the old revision after change.

Basler AG
Europe, Middle East, Africa
Tel. +49 4102 463 515
Fax +49 4102 463 599
support.europe@baslerweb.com
www.baslerweb.com

The Americas
Tel. +1 610 280 0171
Fax +1 610 280 7608
support.usa@baslerweb.com

Asia-Pacific Region
Tel. +65 6367 1355
Fax +65 6367 1255
support.asia@baslerweb.com