

## Basler Accessories



### Installation Guide

## HOUSING TRANSPAC TPH 4000, PoE

### Outdoor Camera Housing with Sunshield, IP67

**Order Number**

**2000032064**

Document Number: AW001300

Version: 01 Language: 000 (English)

Release Date: 26 March 2014

## **Contacting Basler Support Worldwide**

### **Europe and the Middle East:**

Basler AG  
An der Strusbek 60 - 62  
22926 Ahrensburg  
Germany

Phone: +49 4102 463 515  
Fax: +49 4102 463 599  
Email: support.euope@baslerweb.com

### **The Americas:**

Basler, Inc.  
855 Springdale Drive, Suite 203  
Exton, PA 19341  
U.S.A.

Phone: +1 610 280 0171  
Fax: +1 610 280 7608  
Email: support.usa@baslerweb.com

### **Asia:**

Basler Asia Pte. Ltd  
35 Marsiling Industrial Estate Road 3  
# 05 - 06  
Singapore 739257

Phone: +65 6367 1355  
Fax: +65 6367 1255  
Email: support.asia@baslerweb.com

**[www.baslerweb.com](http://www.baslerweb.com)**

**All material in this publication is subject to change without notice and is copyright  
Basler AG.**

# 1 Introduction

## NOTICE

When using this housing in aggressive environments (e.g. where it is exposed to high humidity, salt water, or other corrosive elements), corrosion of the housing and/or camera can occur.

To prevent this, seal all external stainless steel screws and fittings with a silicone grease compound. This will help to extend the lifespan of the housing and the camera. This is especially important for the wall mount.



## WARNING

Incorrect electrical connections can damage the camera and lead to injuries when using the housing and camera.

1. Disconnect the camera from the main power supply before opening the housing.
2. Electrical connections should only be made by a qualified electrician.

## Purpose of this Document

This document is designed to give an overview over the technical specifications of the Transpac TPH 4000 PoE housing. It will also explain how to install a camera inside the housing. This document should be used in conjunction with the respective Basler camera user's manual.

## Key Features of the Camera Housing

- Die-cast aluminum housing, ivory-colored powder coating
- Fully cable-managed wall mount
- Suitable for indoor/outdoor installation
- Adjustable camera mounting platform
- Internal heater for defogging
- Internal fan for temperature management
- IP67 cable glands
- Internal power supply unit with spare terminal and fuse block
- Camera connection and power supply for camera and heater/fan in a single cable
- Weight: 4 kg
- Suitable for Basler IP cameras

## Package Contents

Included with the housing are a wall mount as well as various parts needed for installing the wall mount and for mounting a camera inside the housing.

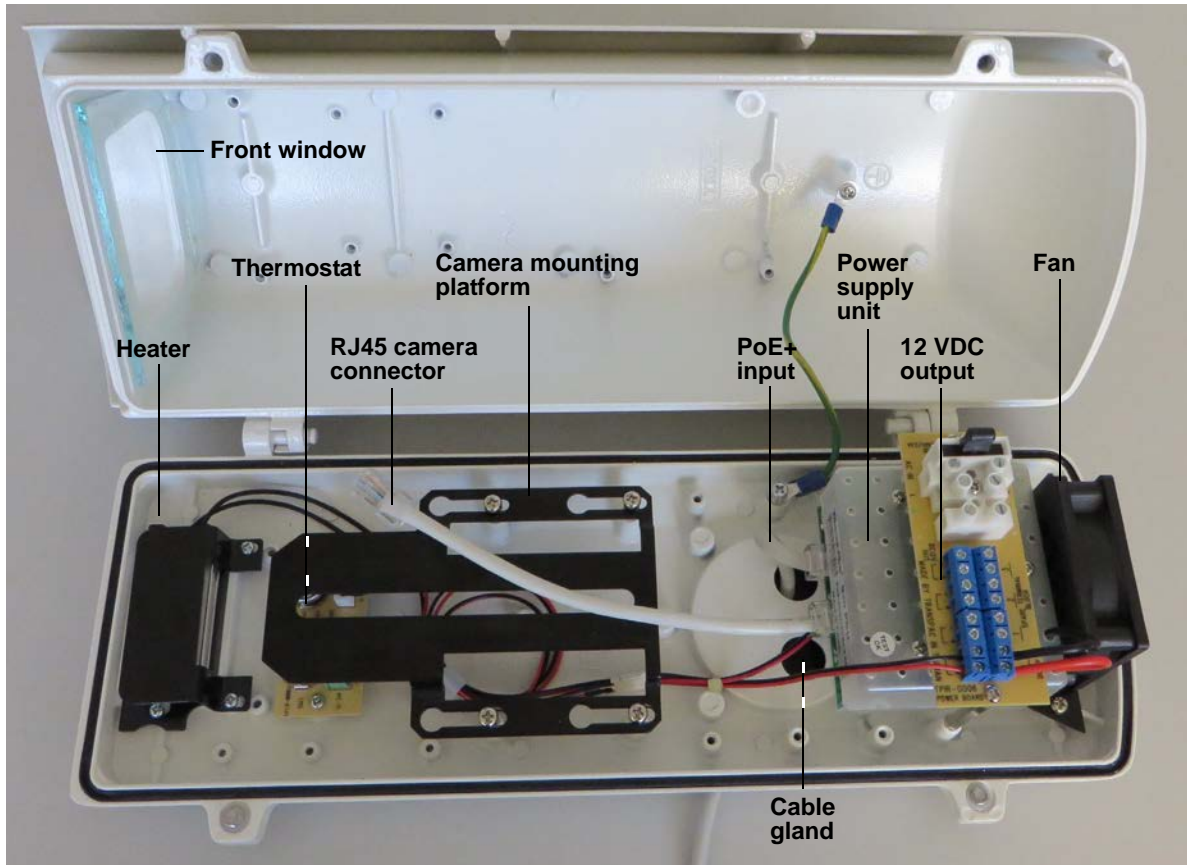


Fig. 1: Camera Housing (Internal View)



Fig. 2: Wall Mount

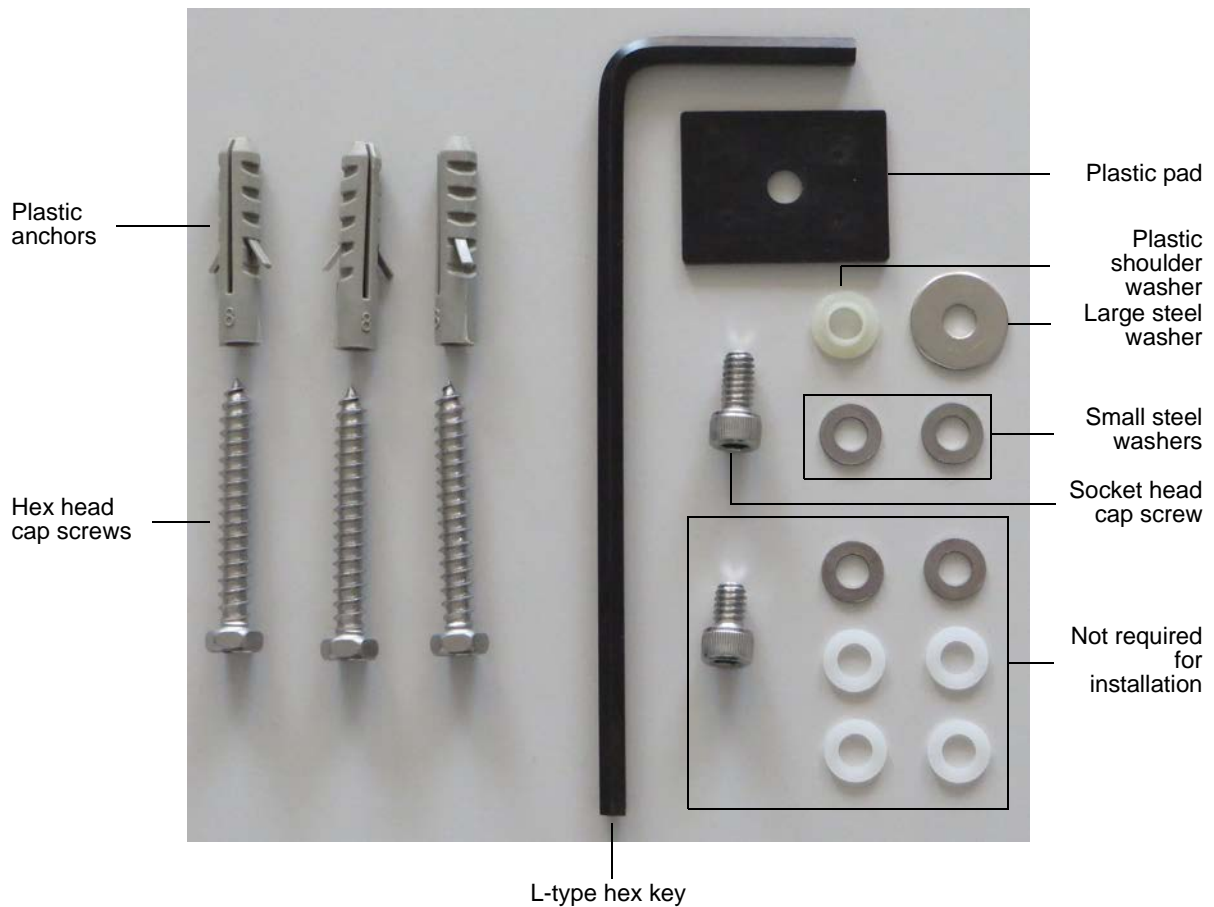


Fig. 3: Assembly Parts

Items needed for installing the wall mount:

- 3 plastic anchors
- 3 stainless steel hex head cap screws
- 1 L-type hex key

Items needed for mounting a camera inside the housing:

- 1 steel socket head cap screw, 1/4" x 1/2"
- 1 plastic pad
- 1 plastic shoulder washer
- 1 large steel washer
- 2 small steel washers
- 1 L-type hex key



Note that all other parts included in the package are not needed for standard installations.

## Dimensions (in mm)

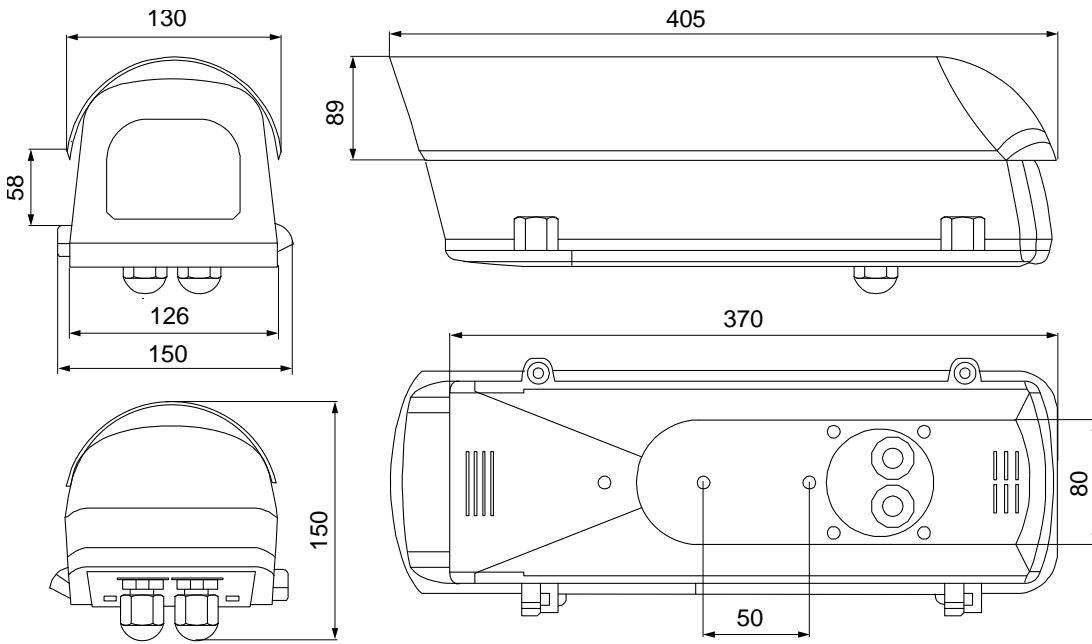


Fig. 4: Dimensions Housing

Maximum dimensions (external): 405 (L) x 150 (W) x 150 (H)

Maximum camera mounting space: 260 (L) x 90 (W) x 70 (H)

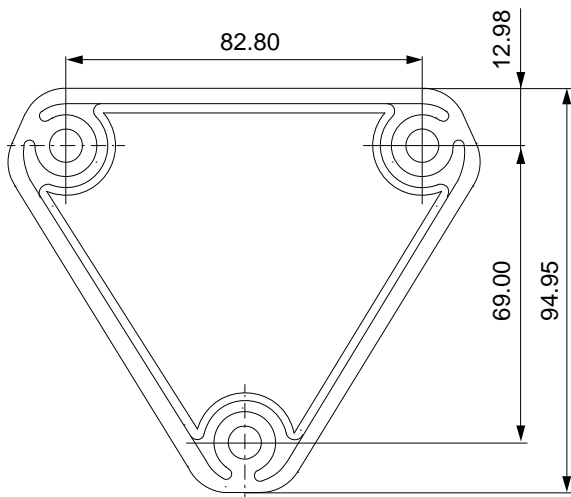


Fig. 5: Dimensions Wall Mount Base

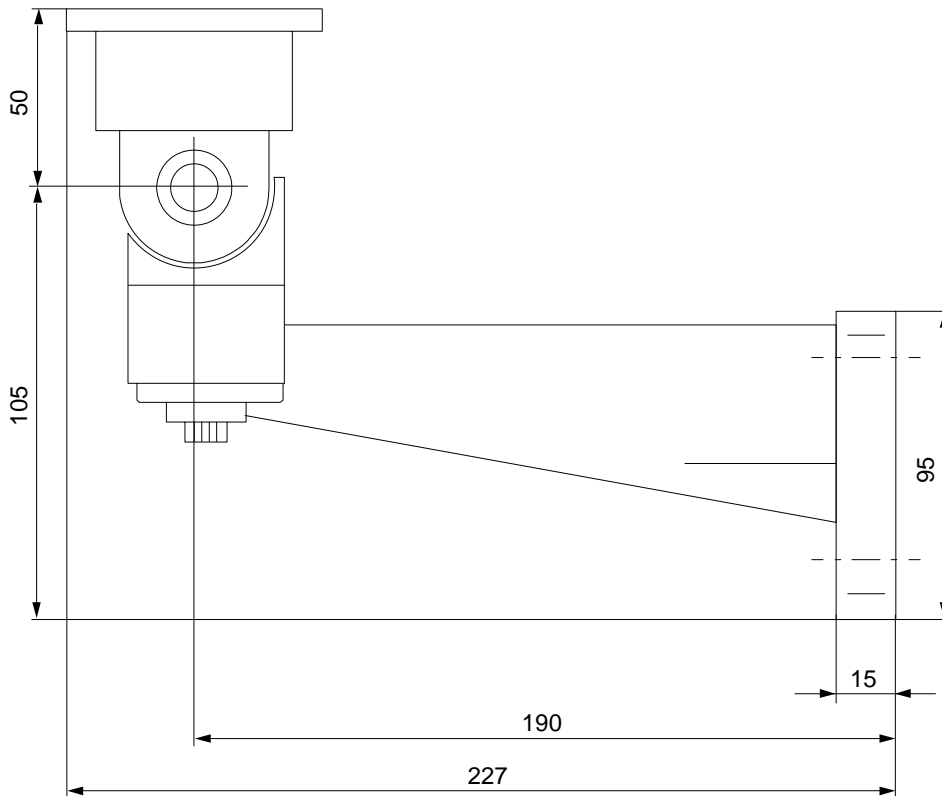


Fig. 6: Dimensions Wall Mount

## Technical Specifications

External Power Supply	PoE+ (30 W) Input Power Supply, IEEE802.3at-compliant
Internal Power Output	PoE (15 W), IEEE802.3af-compliant 3 x 12 VDC, max. 2.5 A (including heater and fan)
Heater Control	18 °C (On) / 28 °C (Off)
Fan Control	35 °C (On) / 25 °C (Off)
Operating Temperature	-20 °C to 50 °C <b>Note:</b> Check the operating temperature of the camera that you are going to use as its operating temperature may differ from that of the housing.
Protection Level	IP67
Temper Glass Thickness	4 mm

Table 1: Specifications



A PoE+ (30 W) injector suitable for Basler cameras can be purchased from Basler.

## Electrical Information

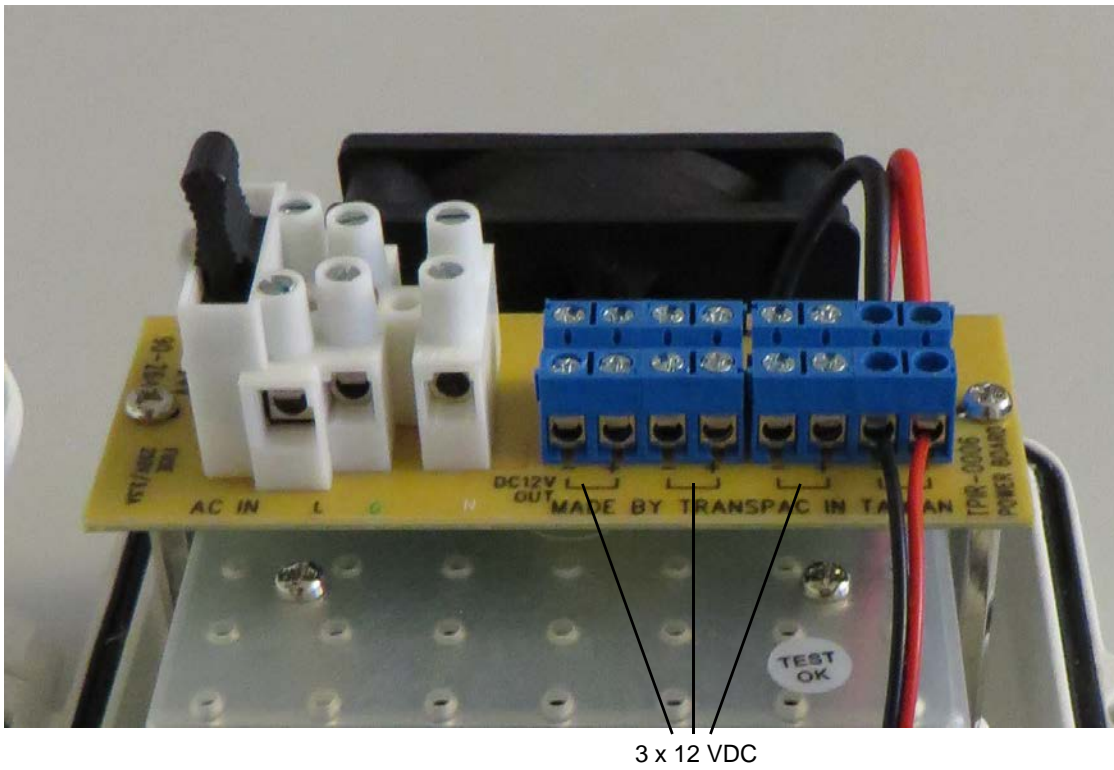


Fig. 7: Terminal Block



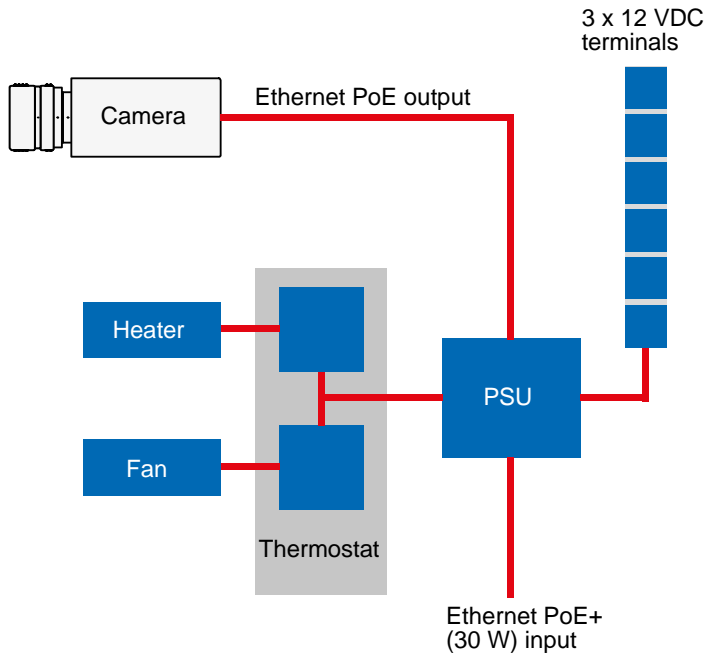


Fig. 8: Wiring Diagram

The unused 12 VDC power outputs can be used to power lens motors, lighting equipment, sirens etc.

### Certifications

CE	Compliant with EN 55022:2010 Class B
LVD	Compliant with EN 60950-1:2006+A11:2009+A1:2010+A12:2011
FCC	Compliant with FCC Part 15:Subpart B (10-1-10 Edition) Class B
CISPR	22:2008 Class B
IP67	Compliant with IEC 60529
RoHS	Fully compliant
SVCH	Fully compliant

Table 2: Certifications

## 2 Mounting a Camera

This Transpac TPH 4000 PoE camera housing can accommodate Basler IP cameras.

### Preparing the Housing

In order to install a Basler IP camera inside the housing, you have to remove the camera mounting platform (see Fig. 9) from the housing.

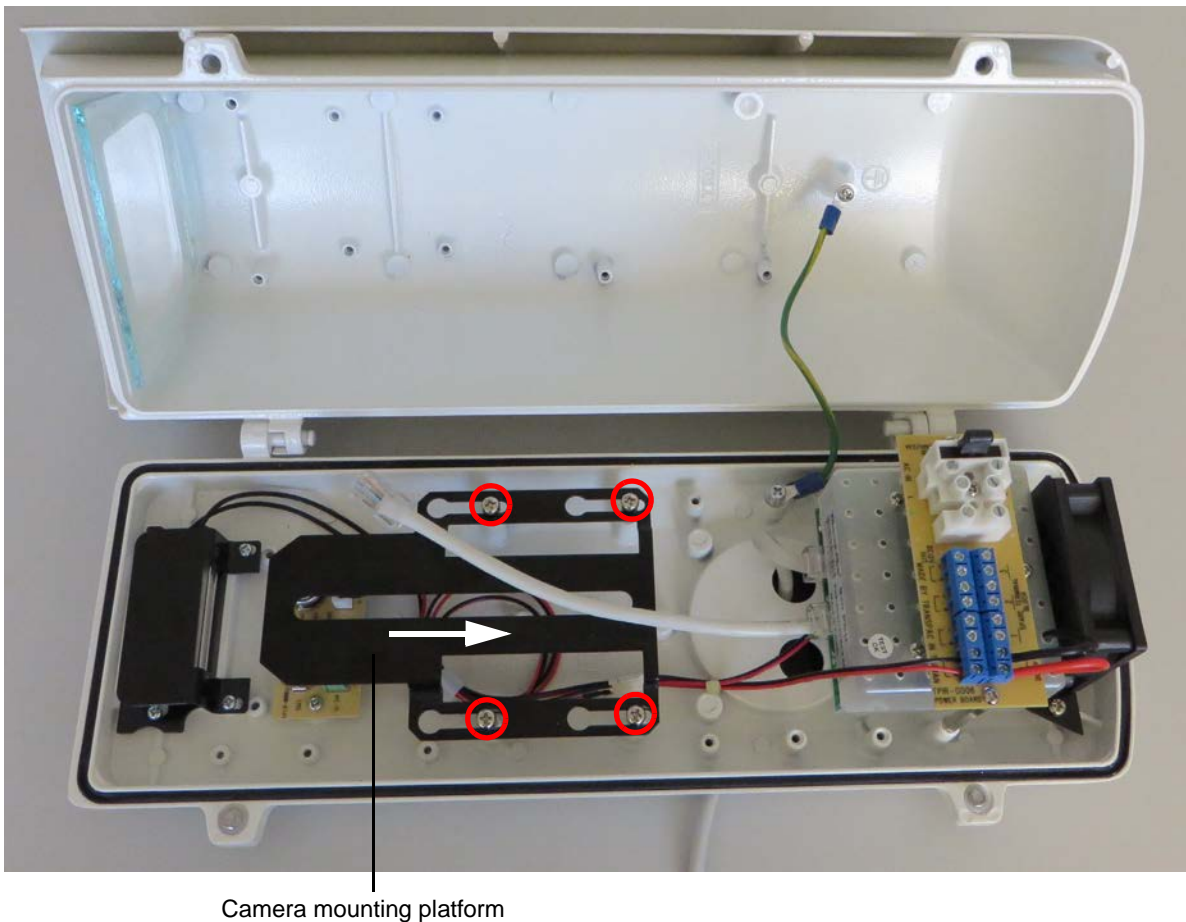


Fig. 9: Removing the Camera Mounting Platform

**To Prepare the Housing:**

1. Slightly loosen the four screws (circled in red in Fig. 9) that hold the platform in place. Don't remove the screws completely.
2. Slide the camera mounting platform along the screws in order to line up the screws with the holes in the platform (in the direction of the arrow in Fig. 9).
3. Lift off the camera mounting platform.

The screws remain in place, still attached to the housing body.

Now you can mount a camera on the camera mounting platform.

## Installation Instructions

The following figure shows how to install an IP camera. When installing Basler cameras, it is recommended to use two small steel washers as well as the large steel washer in order to prevent damaging the camera.

### To Install an IP Camera (see Fig. 10):

1. Assemble the screws and washers (step 1).
2. Thread the screw-washer assembly through the camera mounting platform and the plastic pad.
3. Twist the screw into the bottom of the camera.
4. After positioning, tighten the screw.

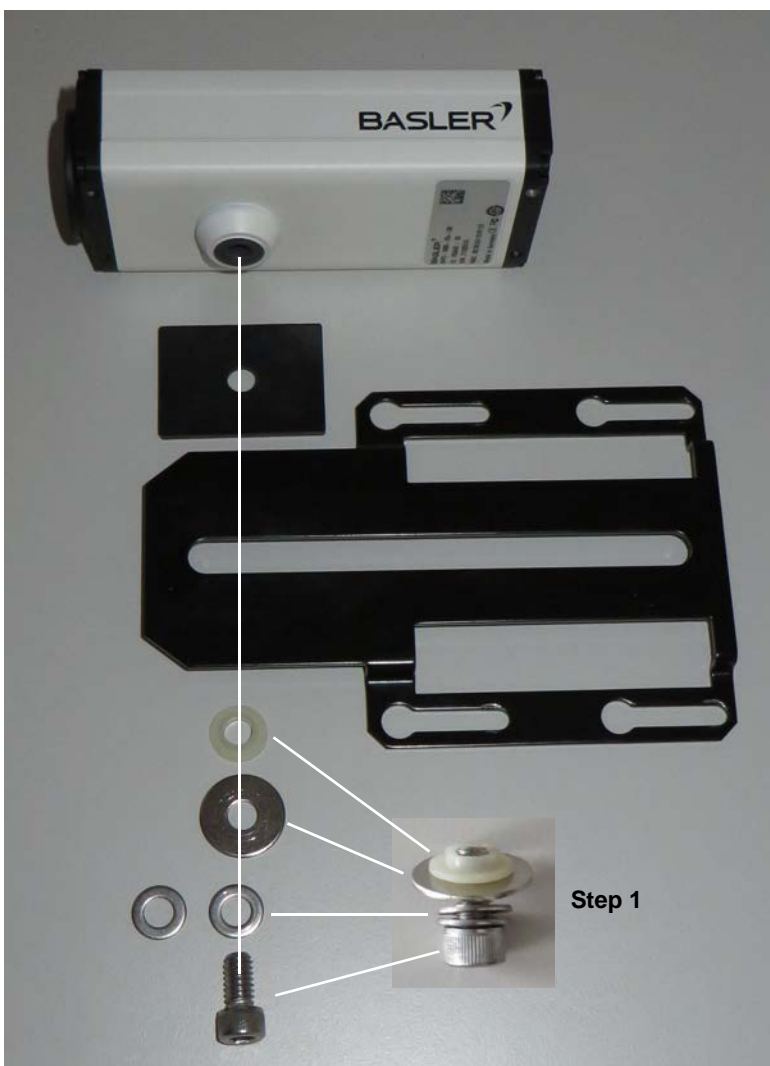


Fig. 10: Installing an IP Camera

## Revision History

Doc. ID Number	Date	Changes
AW00130001000	26 Mar 2014	Initial release of this document.

