

Lens Evetar M12B3525 F2.5 f35mm 1/2"



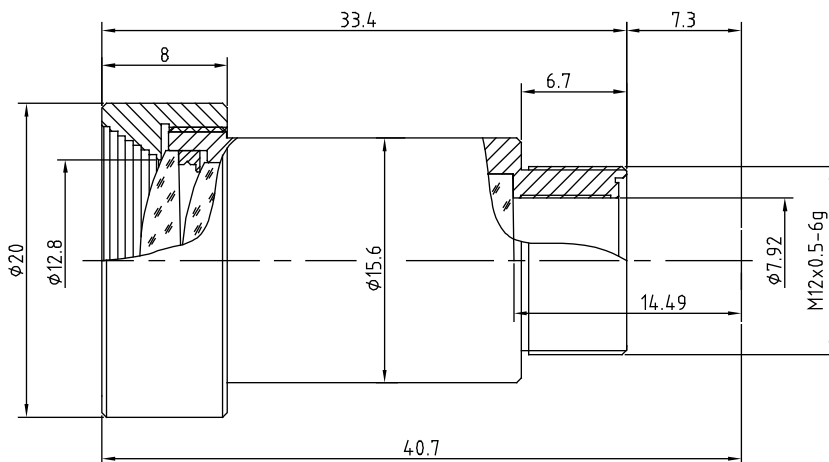
Order Numbers

- 2000036378** (without IR cut filter)
- 2000036379** (with IR cut filter)

Key Features

- S-mount lens with optimum price/performance ratio
- 1/2" lens with fixed focal length of 35.0 mm and fixed iris of f/2.5
- Available with IR cut filter (for color cameras) or without IR cut filter (for mono cameras)

Technical Specifications	
Image Circle	1/2"
Focal Length	35.0 mm
Aperture	f/2.5
Iris Type	fixed
MOD	400 mm
Resolution	5 MP – 200 lp/mm
Angle of View (D / H / V)	13.1° / 11° / 7.8°
Back Focal Length	14.49 mm
Mount	M12x0.5-6g



(Dimensions in mm)